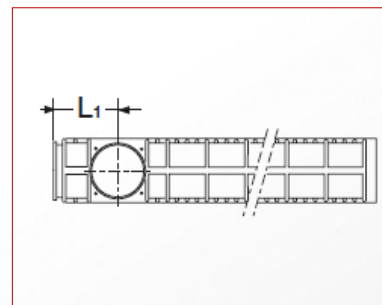
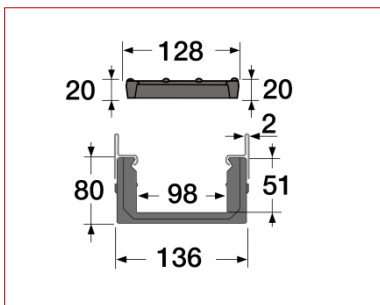
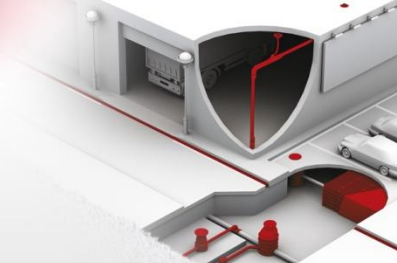


Kenadrain I Channel width 100, class C250

Code : DR100CF



■ FUNCTION :

This product permits to drain run-off water with gratings of length 1000 mm, of class C250 complying with the standard NF-EN 1433, holding the CE marking, assembled via a male/female connection system with locking

■ DESCRIPTION :

It is comprised of:

- a injected recycled polypropylene black body
- two galvanized steel edges.
- two black cast iron gratings class C250
- two locking systems with galvanized metal bar

■ ACCESSORIES :

To connect the channels to the underground network :

- PVC end cap (Ø150) or vertical outlets (Ø100, Ø110 or Ø125)
- EKSO sump units manufactured also in PVC

■ CHARACTERISTICS :

Resistance class: C250
 Effective width: 98 mm
 Effective depth: 51 mm
 Grating type: Cast iron
 Drainage surface: 392 cm²/ml
 Hydraulic section: 47.5 cm²
 Opening dimensions: 18 / 96 mm
 Weight: 10,2 KG



STDR10
SVDR10
SXDR10

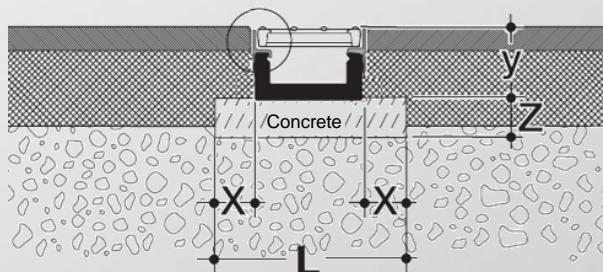


NJDR100



■ IMPLEMENTATION:

X = 150 mm; L = 430 mm
 Z = 150 mm ; y = 85 mm



■ QUALITY- ENVIRONMENT :

ISO 9001
 ISO 14001
 BUREAU VERITAS
 Certification



December 2013