



0709419_3V100R

DUAL FLUSH MECHANISM WITH CABLE

FUNCTION

- Dual flush mechanism (water-saving) adapted to exposed WC cisterns

DESCRIPTION

- Finishing : chrome button and chrome control plate
- Overflow in recycled Polystyrene
- Spanner in recycled Polypropylene
- Base & nut in recycled ABS

TECHNICAL CHARACTERISTICS

- Setting : 3 / 6 liters (2 / 4 liters possible)
- Covering height of the cistern : from 300 to 420 mm
- diameter of the hole on the cover : 40 mm
- Adjustable remaining level
- Valve seal in silicon
- Soft closing
- Diameter of base : G2"

NF CERTIFIED



ACCESSORIES

- Cistern-on-pan gasket supplied
- Cistern-on-pan fixing kit supplied (in stainless steel)

IMPLEMENTATION

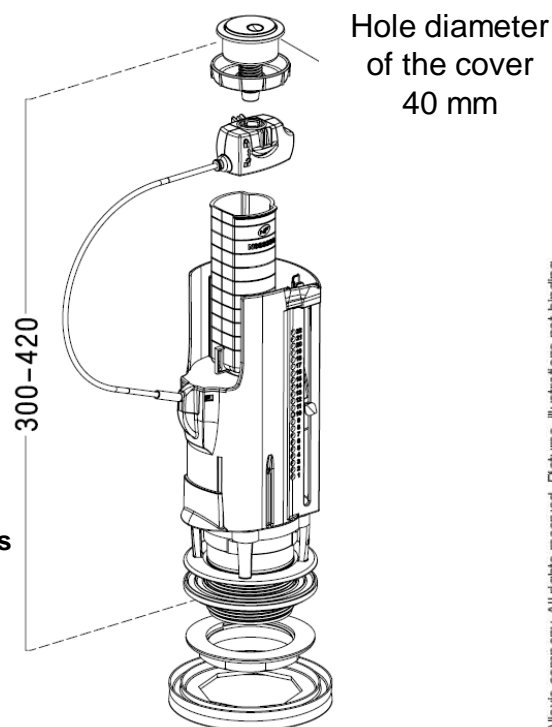
- Plug & play button
- Mechanism compatible with ceramics & plastic WC cisterns
- Adjustable small flush volume (by pinching & sliding)
- Adjustable overflow height (by cutting)

MAINTENANCE

- Easy interchangeable bayonet base
- Lock / release system for button
- Servicing : regularly pour a glass of white vinegar to avoid scale deposits

PACKAGING

- Cardboard box



JULY 2022